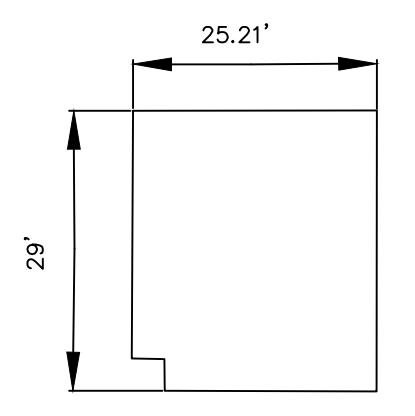
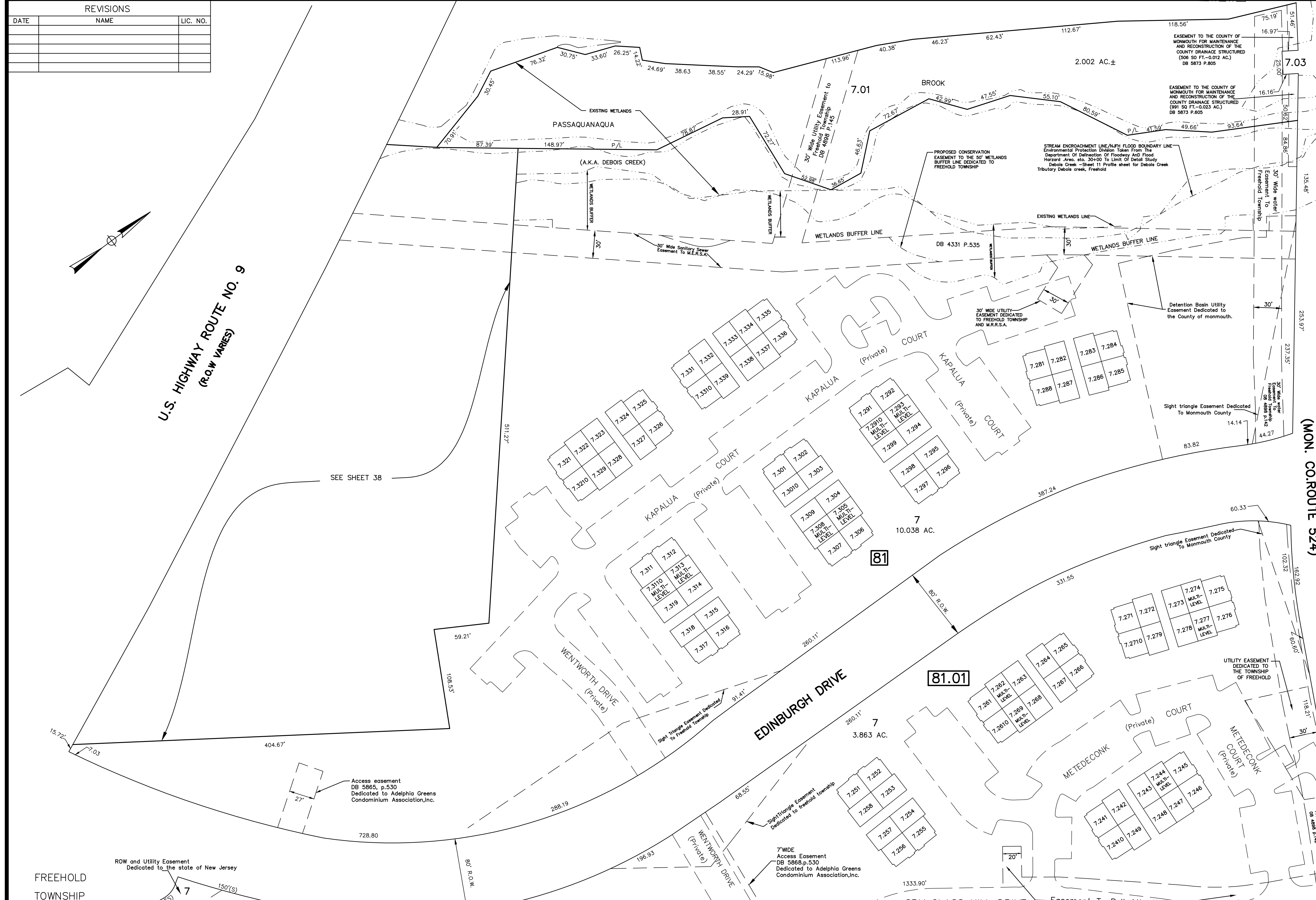
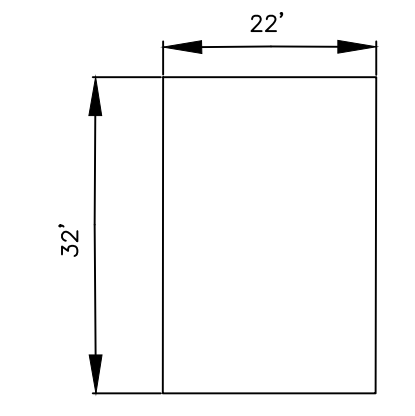


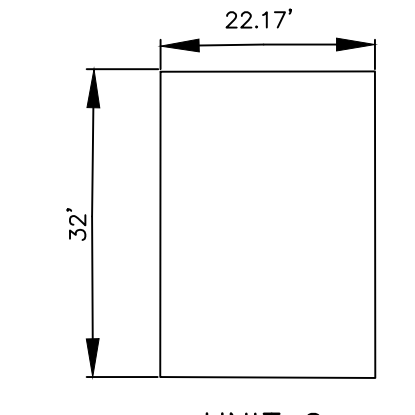
| REVISIONS |      |          |
|-----------|------|----------|
| DATE      | NAME | LIC. NO. |
|           |      |          |
|           |      |          |
|           |      |          |



UNIT A  
2,103 S.F.  
SCALE 1"=20'



UNIT B  
2,048 S.F.  
SCALE 1"=20'



UNIT C  
2,061 S.F.  
SCALE 1"=20'

**TM ASSOCIATES**  
11 TINDALL ROAD  
MIDDLETOWN, NJ 07748  
TEL 732-671-6400  
FAX 732-671-7365  
NEW JERSEY BOARD OF PROFESSIONAL ENGINEERS AND LAND SURVEYORS  
CERTIFICATE OF AUTHORIZATION 246A27987500

**TAX MAP**  
TOWNSHIP OF FREEHOLD  
MONMOUTH COUNTY, NEW JERSEY  
SCALE: 1"= 50' JANUARY, 2008  
**JOSEPH M. MAVURO, P.E., P.L.S.**  
1 MUNICIPAL PLAZA  
FREEHOLD, NEW JERSEY 07728

THIS MAP HAS BEEN DRAWN USING COMPUTER AIDED DRAFTING/DESIGN (CAD/D) AND COORDINATE GEOMETRY.

THIS MAP IS A COPY OF THE ORIGINAL MAP PREPARED BY WILLIAM HELD, P.E. & P.L.S. DATED MARCH 1962. THE ORIGINAL MAP IS ON FILE IN THE ENGINEER'S OFFICE.